

Willoughby Stainless Fountains

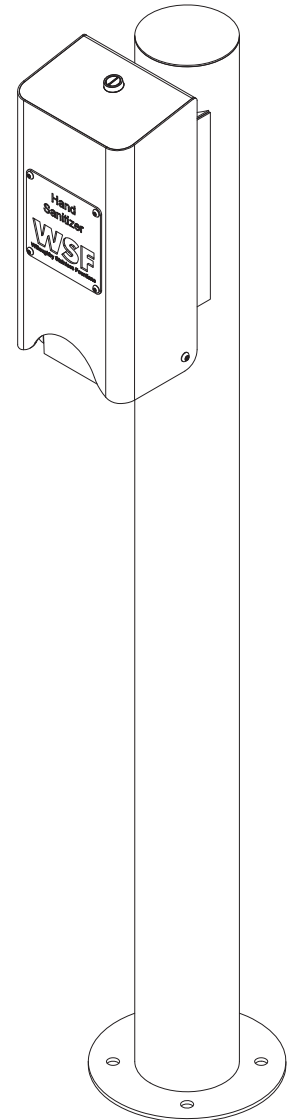


WOHS Hand Sanitizer Station

To specify fixture and options, use the Model Number and Options page.

Example: To specify a WOHS-1 Single Hand Sanitizer Station in Silver color

Use the following Willoughby Model Number: WOHS-1-SL



Recommended Specifications

Willoughby Model **WOHS-** Hand Sanitizer Station is a vandal resistant Hand Sanitizer Station with Type 304 stainless steel 4-1/2" Schedule-40 main column and 7 GA. flange. Protective hinged sanitizer dispenser box is fabricated from 14 GA. stainless steel. A keyed lock in the top allows for easy access for sanitizer cartridge replacement.

Fixture uses industry standard and commercially available replacement cartridge.

Optional mounting kit available for purchase consisting of stainless steel anchors, nuts, washers and rubber gasket washers. If optional kit is not used, stainless steel hardware recommended.

Standard Features

- * Heavy duty Type 304 stainless steel 4-1/2" Schedule-40 main column and 7 GA. flange
- * Optional marine-grade Type 316 stainless steel body for installations near salt water
- * Resistant to sunlight, heat, and vandalism
- * Hinged 14ga. sanitizer dispenser box
- * Powder coat finish (color options on page 2)
- * Unit is shipped with one cartridge of hand sanitizer



WARNING: Cancer and Reproductive Harm

- www.P65Warnings.ca.gov

visit our website at www.willoughbystainlessfountains.com

5105 West 78th Street • Indianapolis, IN. 46268

(317) 875-0830 • Fax: (317) 875-0837 • (800) 428-4065



MADE IN THE U.S.A.

MODEL NUMBER AND OPTIONS:

1.) Hand Sanitizer Station Type:

- WOHS-1 Single Hand Sanitizer Station
- WOHS-2 Dual Hand Sanitizer Station

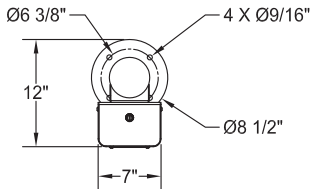
2.) Colors (select one):

- SL Silver
- G Green
- R Red
- BL Blue
- O Orange
- V Violet
- Y Yellow
- BR Brown
- BK Black
- BE Beige
- W White

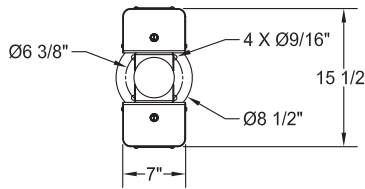
3.) Options:

- 316-1 316 Stainless Steel Body
- WSFMK4 4 Bolt Hole Mounting Kit (Not req'd with Carrier option)
- CAR-1 Surface Carrier, Single (Including mounting hardware)

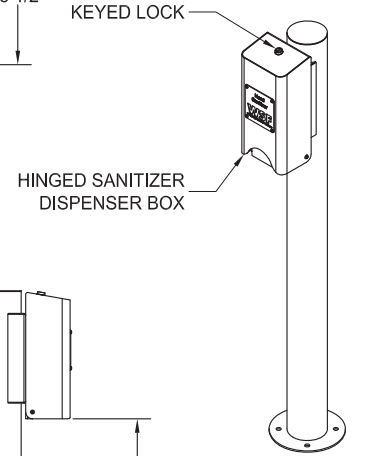
Approved For Manufacturing By: _____ Date: _____ Company: _____
 Wall Thickness: _____ Wall Type: _____



WOHS-1

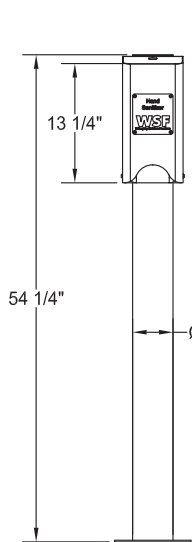


WOHS-2

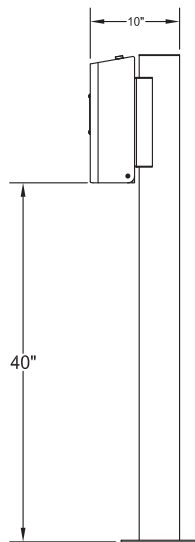


WOHS-1

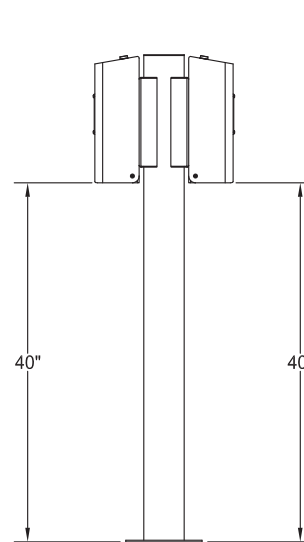
VERIFY ALL DIMENSIONS WITH FACTORY PRIOR TO ROUGH-IN
 WILLOUGHBY RESERVES THE RIGHT TO MAKE CHANGES IN DESIGN AND DIMENSIONS WITHOUT FORMAL NOTICE AND WITHOUT INCURRING OBLIGATION.



WOHS-1 & WOHS-2



WOHS-1



WOHS-2

visit our website at www.wiloughbystainlessfountains.com

5105 West 78th Street • Indianapolis, IN. 46268
 (317) 875-0830 • Fax: (317) 875-0837 • (800) 428-4065



MADE IN THE U.S.A.

© Rev. 2/2021